



STRAPPING TECHNOLOGY
MODEL RANGE: AMPAG BOXER



CYKLOP
INTERNATIONAL

THE
STRAPPING
COMPANY

100 YEARS
1912/2012

Model range: Ampag Boxer

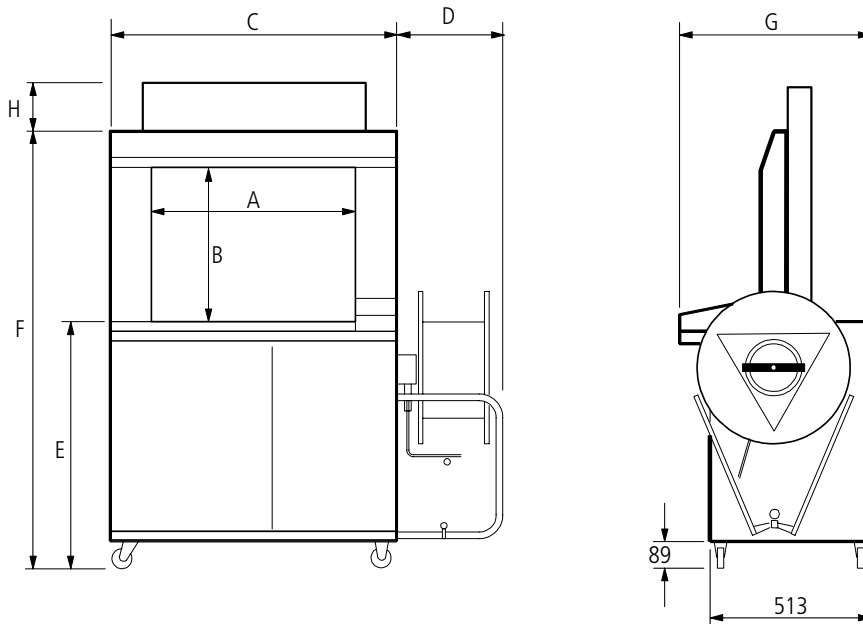
The semi-automatic strapping machine Ampag Boxer is for the strapping of light packages, packets or to make bundles. It can be applied in a variety of industries.

The Ampag Boxer strapping machine is distinguished through its reliability, operating comfort and low maintenance. There was great emphasis placed on the functionality of the operating units.

Features:

- Very high operating comfort
- Easy to handle
- Automatic re-feed function
- Easy and simple strap threading
- Automatic strap rejection if blank strapping
- Fast heating-up system (30 secs.)
- Reliability
- Sequencer per micro-processor
- Low maintenance

Dimensions:



Technical Data:

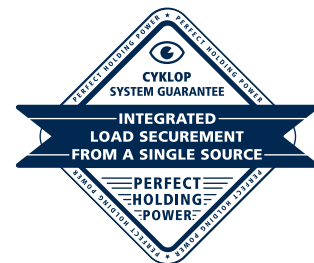
Strap:	Polystrap
Strap width:	5, 9 or 12 mm
Tension force:	Infinitely variably adjustable
Seal strength:	Approx. 70%
Capacity:	Up to 55 cycles/min.
Package weight:	max. 40 kg
Machine Weight:	160 kg
Operating voltage:	230/240 V, 1-Ph., 50/60 Hz, 0.65 kW
Thermostat:	Potentiometer
Noise level:	81 dB(A)
Temperature:	+5 °C to +40°C
Coil diameter:	
Core/outside/width:	200x450x190 mm
Min. package dimensions:	W=80mm/H=30 mm

Strap width	Frame size	A	B	C	D	E	F	G	H
5	650x500	650	494	914	338	791	1400	610	660
9, 12	650x500	650	494	914	338	791	1400	610	
5	650x600	650	594	914	338	791	1400	610	
5	850x500	850	494	1114	338	791	1600	610	660
5	850x600	850	594	1114	338	791	1600	610	
9, 12	850x600	850	594	1114	338	791	1600	610	
9, 12	850x800	850	798	1114	338	791	1700	610	
5	1050x500	1050	500	1314	338	791	1400	610	660
5	1250x500	1250	500	1514	338	791	1400	610	660
9, 12	1250x800	1250	798	1514	338	791	1700	610	
5	1450x500	1450	500	1714	338	791	1400	610	660

All measurements in (mm)

Options:

- Pneumatic press
- Foot switch
- Adjustable feet
- Table top sensor



WWW.CYKLOP.COM

DIRECT LINE: +49 (0) 2236 602 0

CYKLOP GmbH
Industriestraße 133
50996 Cologne
Germany
info@cyklop.de

CYKLOP
INTERNATIONAL

THE
STRAPPING
COMPANY

100 YEARS
1912/2012